



AMATEUR EXTRA



Extra License Course

Session 2 – Chapter 3 Rules & Regulations



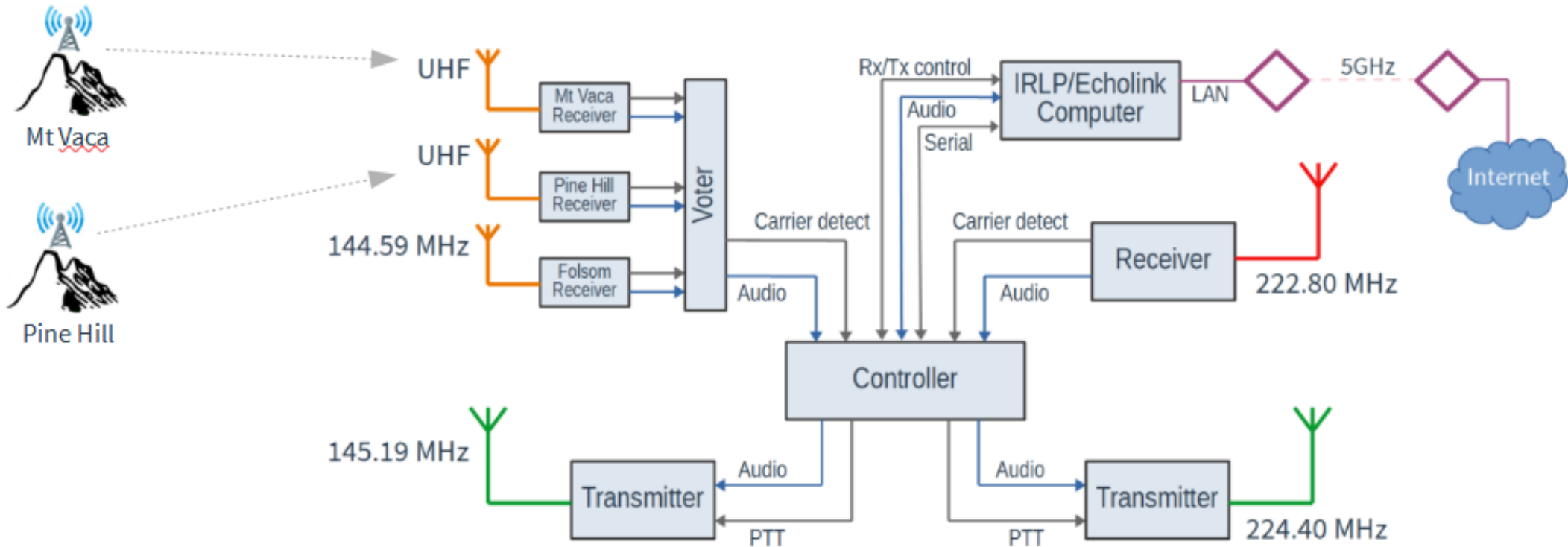
3.6 Miscellaneous Rules

- Auxiliary Stations
 - Amateur stations, other than a message forwarding system, that transmit communications point-to-point within a system of cooperating amateur stations. §97.3(a)(7)
 - Must have a Tech, General, Advanced, or Extra license
 - Limited to 2 meter and shorter wavelengths §97.201(b)



3.6 Miscellaneous Rules

- Auxiliary Stations





3.6 Miscellaneous Rules

- External Power Amplifiers
 - Certification of Amplifiers below 144 MHz may be required §97.315 & §97.317
 - Certified amplifiers must satisfy spurious emission standards §97.307(d) or (e)
 - Can't amplify between 26 and 28 MHz
 - FCC keeps a list of all certified amplifiers
 - Dealers may sell non-certified amplifiers if used and re-sold to an amateur

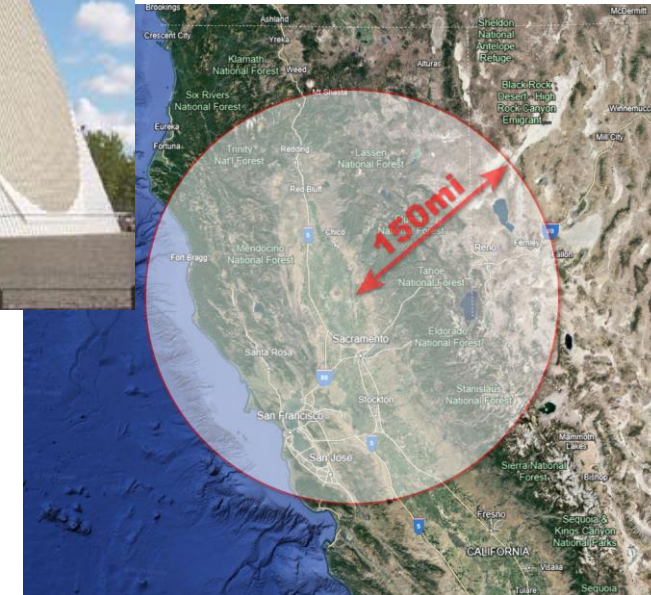


AMATEUR EXTRA



3.6 Miscellaneous Rules

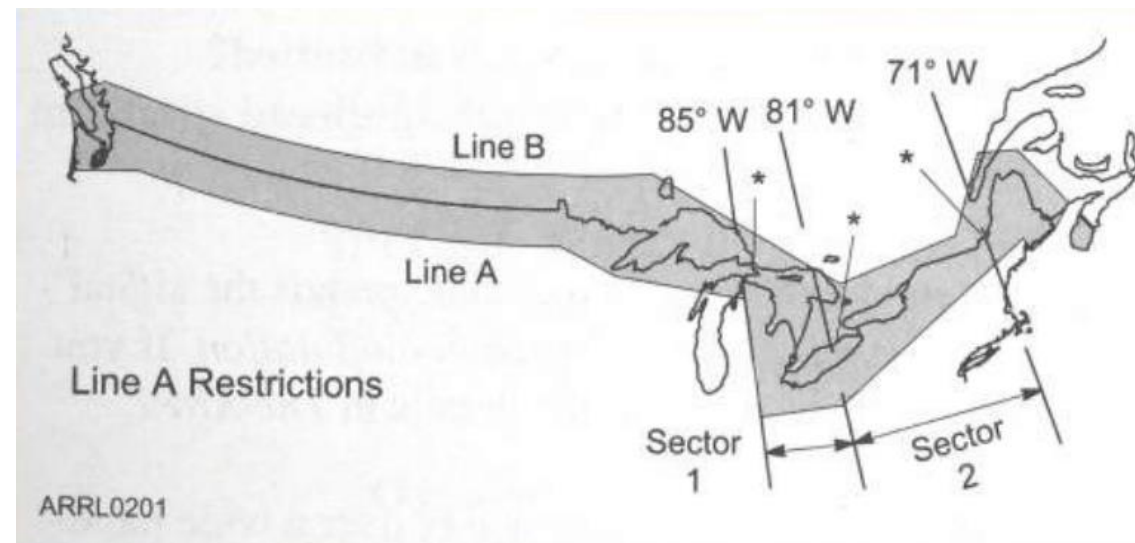
- 70 CM Band Restrictions
 - Amateurs are secondary on the band
 - Military Radar Systems
 - Restrictions on Repeater Systems
 - Beale AFB PAVEPAWS System
 - Max 50 Watts within 150 miles!!





3.6 Miscellaneous Rules

- 70 CM Band Restrictions
 - 420-430MHz is allocated to Land Mobile Services in Canada. Restrictions start ~50mi south of border (Line A)
- “Must not cause interference” within 50 miles of Buffalo, Detroit, & Cleveland





3.6 Miscellaneous Rules

- National Quiet Zones
 - Specific geographical regions
 - National Radio Quiet Zone (NRQZ)
 - §97.203 lists details
- Business, Payment, & Re-Broadcasting
 - No Pecuniary (monetary) Interest
 - Personal activities do not count as business
 - Non-Profits are not exempt §97.117
 - Re-broadcasting weather reports or propagation reports is not allowed



3.6 Miscellaneous Rules

- Spread Spectrum Operation
 - Spread Spectrum (SS) Operation is spreading your signal over wide bandwidth (bandwidth-expansion modulation)
 - It is allowed as long as it doesn't cause harmful interference
 - Allowed only above 222 MHz



3.6 Miscellaneous Rules

- Non-US Operating Agreements
 - Three Agreements:
 - European Conference of Postal & Telecommunications Administrations (CEPT)
 - International Amateur Radio Permit (IARP)
 - ITU Reciprocal Permit
 - CEPT – Europe & Overseas Territories
 - IARP – Central & South America
 - ITU Reciprocal Permit – Countries without a CEPT or IARP in place
 - Be sure to check the rules
 - Foreign Nations operating under the agreements have the same privileges



3.6 Miscellaneous Rules

The countries with which arrangements are in effect are:

Antigua and Barbuda, Argentina, Australia, Austria, The Bahamas, Barbados, Belgium, Belize, Bolivia, Bosnia-Herzegovina, Botswana, Brazil, Chile, Colombia, Costa Rica, Croatia, Cyprus, Denmark (including Greenland), Dominica, Dominican Republic, Ecuador, El Salvador, Federated States of Micronesia, Fiji, Finland, France [including French Guiana, French Polynesia (Gambier, Marquesas, Society, and Tubuai Islands and Tuamotu Archipelago), Guadeloupe, Ile Amsterdam, Ile Saint-Paul, Iles Crozet, Iles Kerguelen, Martinique, New Caledonia, Reunion, Saint Pierre and Miquelon, and Wallis and Futuna Islands], Federal Republic of Germany, Greece, Grenada, Guatemala, Guyana, Haiti, Honduras, Iceland, India, Indonesia, Republic of Ireland, Israel, Italy, Jamaica, Japan, Jordan, Kiribati, Kuwait, Liberia, Luxembourg, Macedonia, Republic of the Marshall Islands, Mexico, Monaco, Netherlands, Netherlands Antilles, New Zealand, Nicaragua, Norway, Panama, Papua New Guinea, Paraguay, Peru, Philippines, Portugal, Seychelles, Sierra Leone, Solomon Islands, Republic of South Africa, Spain, St. Lucia, St. Vincent and the Grenadines, Surinam, Sweden, Switzerland, Thailand, Trinidad and Tobago, Turkey, Tuvalu, United Kingdom [including Bermuda, British Virgin Islands, Cayman Islands, Channel Islands (including Guernsey and Jersey), Falkland Islands (including South Georgia Islands and South Sandwich Islands), Great Britain, Gibraltar, Isle of Man, Montserrat, Northern Ireland, Saint Helena (including Ascension Island, Gough Island, and Tristan Da Cunha Island), and Turks and Caicos Islands], Uruguay, and Venezuela.



3.6 Miscellaneous Rules

- Special Temporary Authority (STA)
 - Special permission to operate where the FCC regulations prohibit it or don't address the communications
 - They are temporary
 - Waives specific rules only
 - Examples:
 - Spread Spectrum before it was allowed
 - 630 & 2200 meter bands (before 30 day wait)