



3. ELECTRICITY, COMPONENTS and CIRCUITS

Chapter 3 Part 3 of 3

Radio Circuits

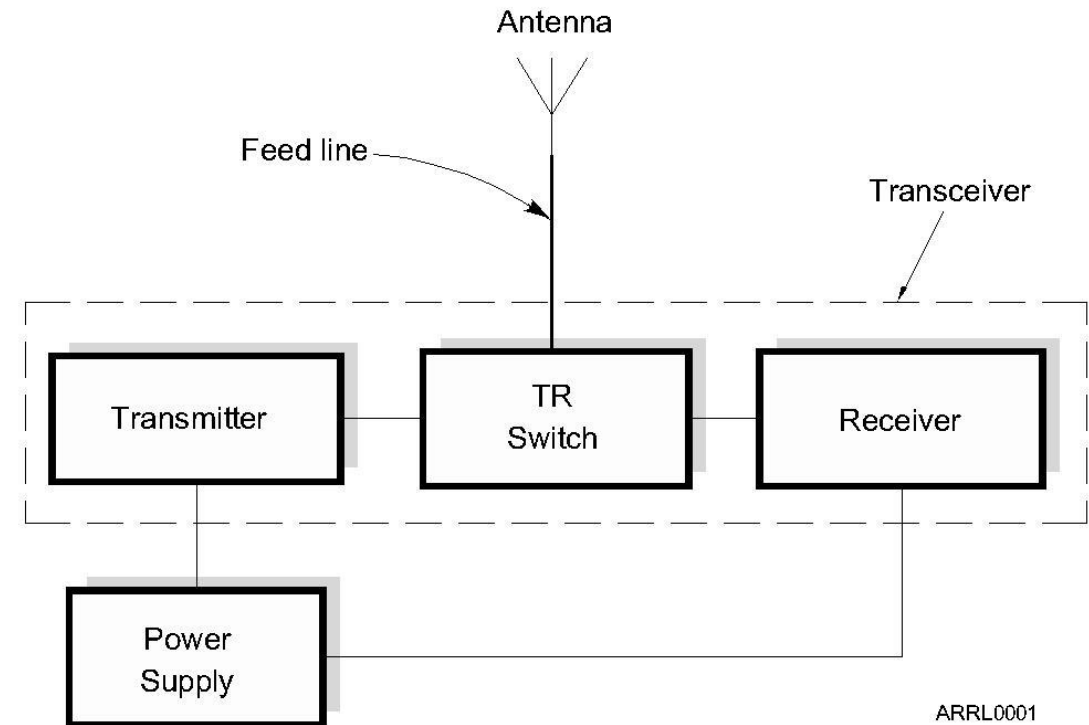




Transmitter + Receiver = Transceiver

TR switch allows one antenna to be shared between transmitter and receiver

Can't transmit and receive at the same time



ARRL0001

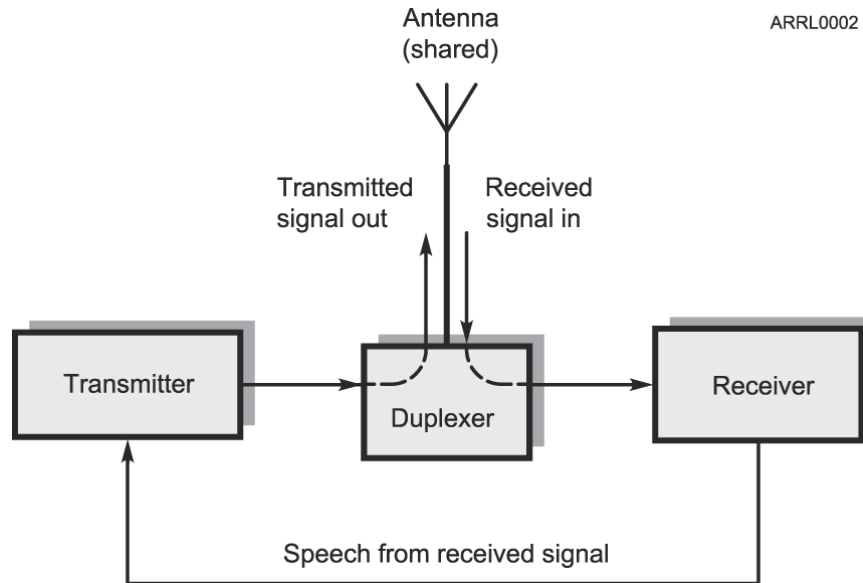
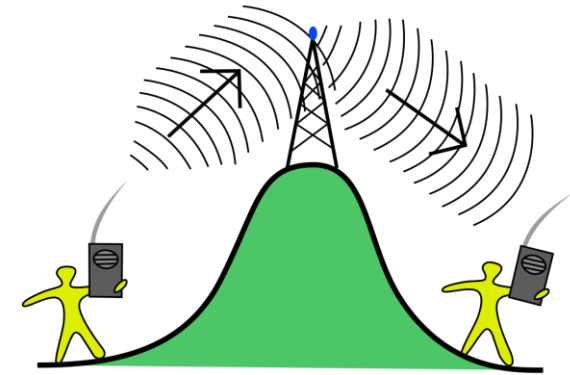


Repeaters

Receives and transmits on different frequencies

Relays signals from low power stations to a wide area

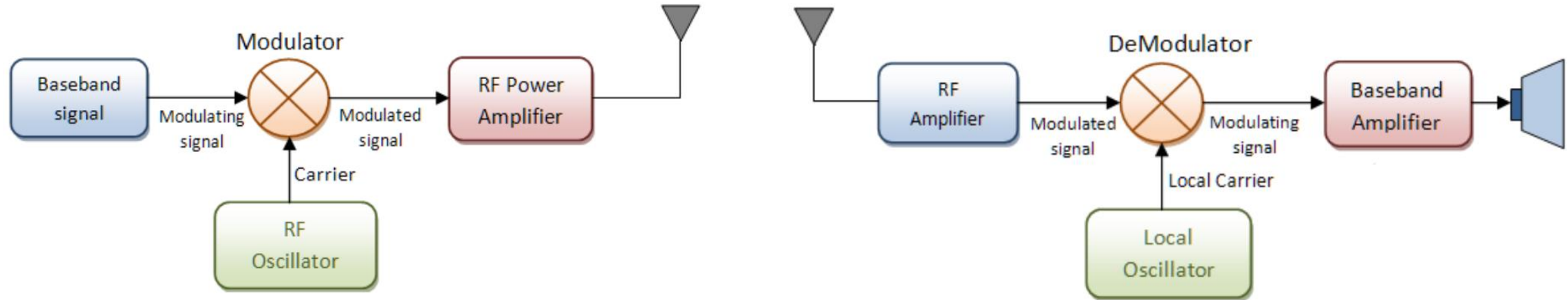
Different Rx/Tx antennas or using duplex filters





Transmitting

Receiving





Questions!